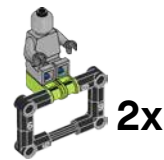
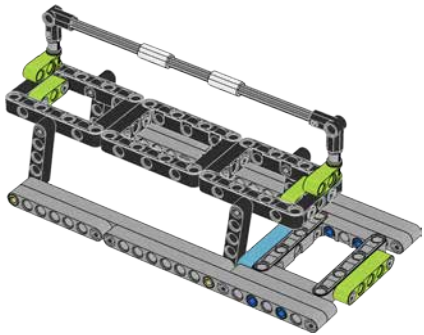
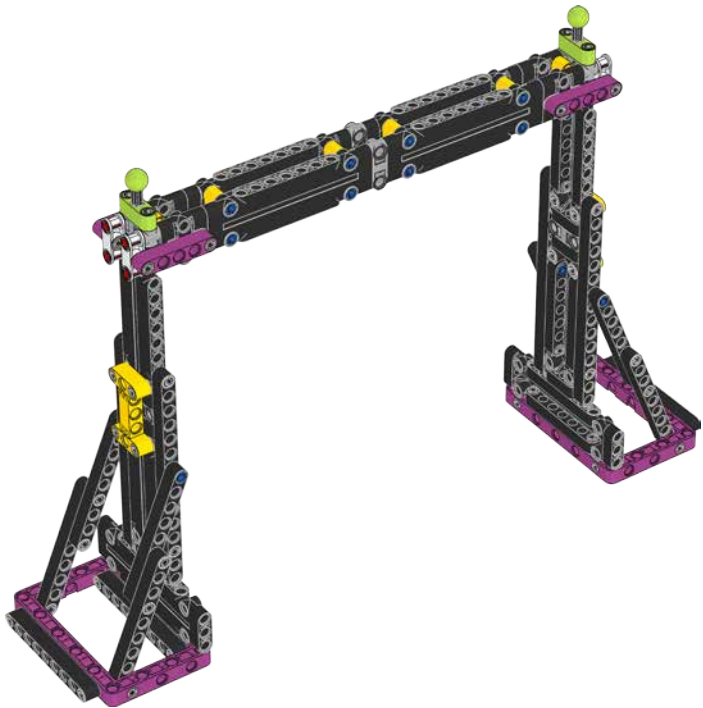
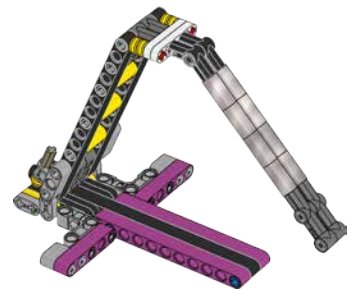


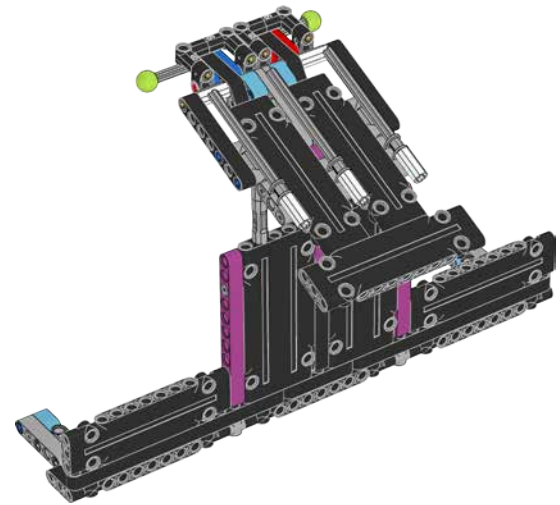
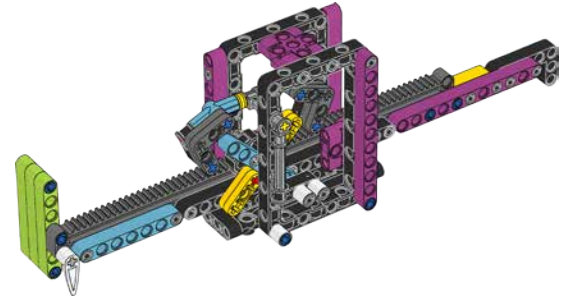
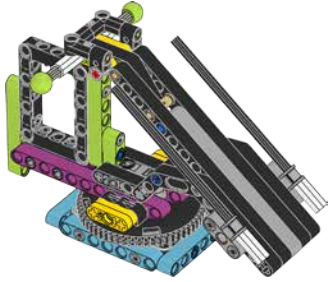
45813

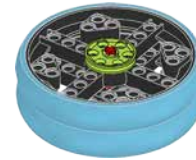
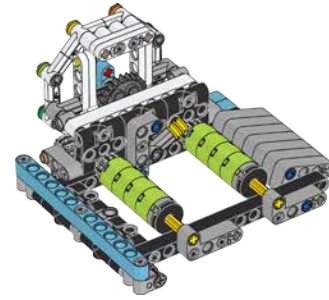
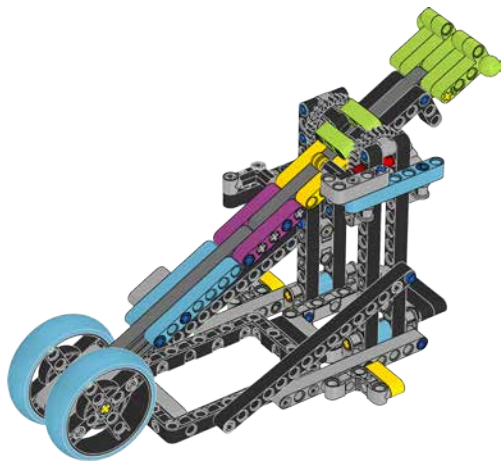


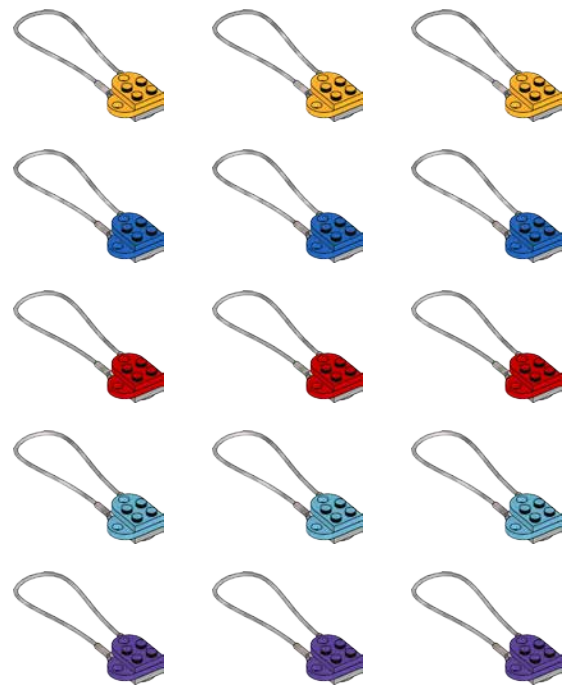
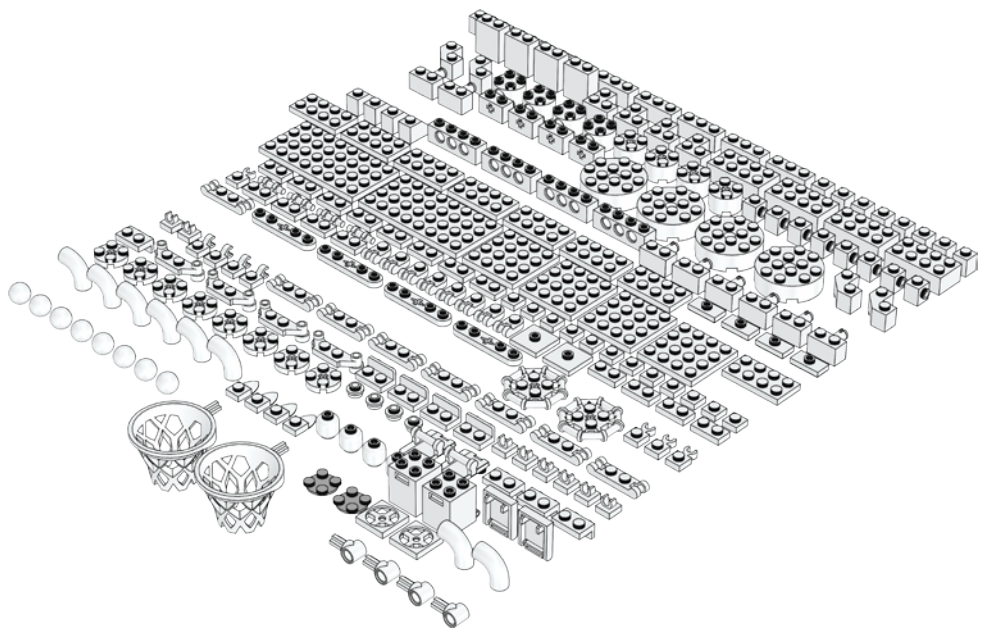


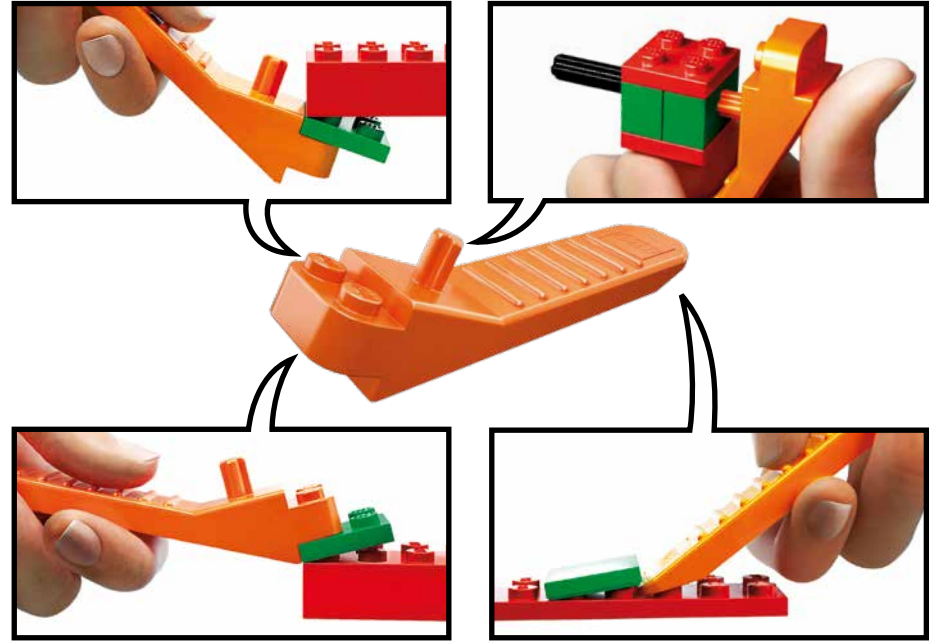
2x











LEGO.com/brickseparator

LEGO and the LEGO logo are trademarks of the/son des marques de commerce du/son marcas registradas de LEGO Group. ©2020 The LEGO Group.

FIRST® is a registered trademark of For Inspiration and Recognition of Science and Technology (FIRST). LEGO® is a registered trademark of the LEGO Group. FIRST® LEGO® League are jointly held trademarks of FIRST and the LEGO Group. ©2020 FIRST and the LEGO Group. All rights reserved.